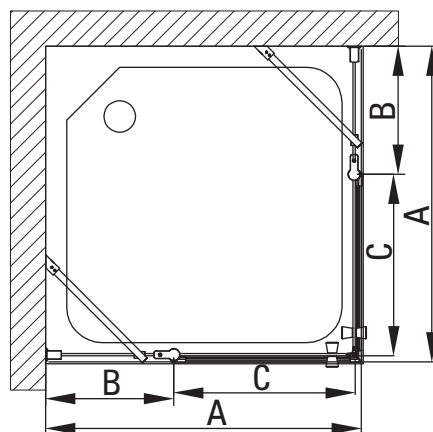
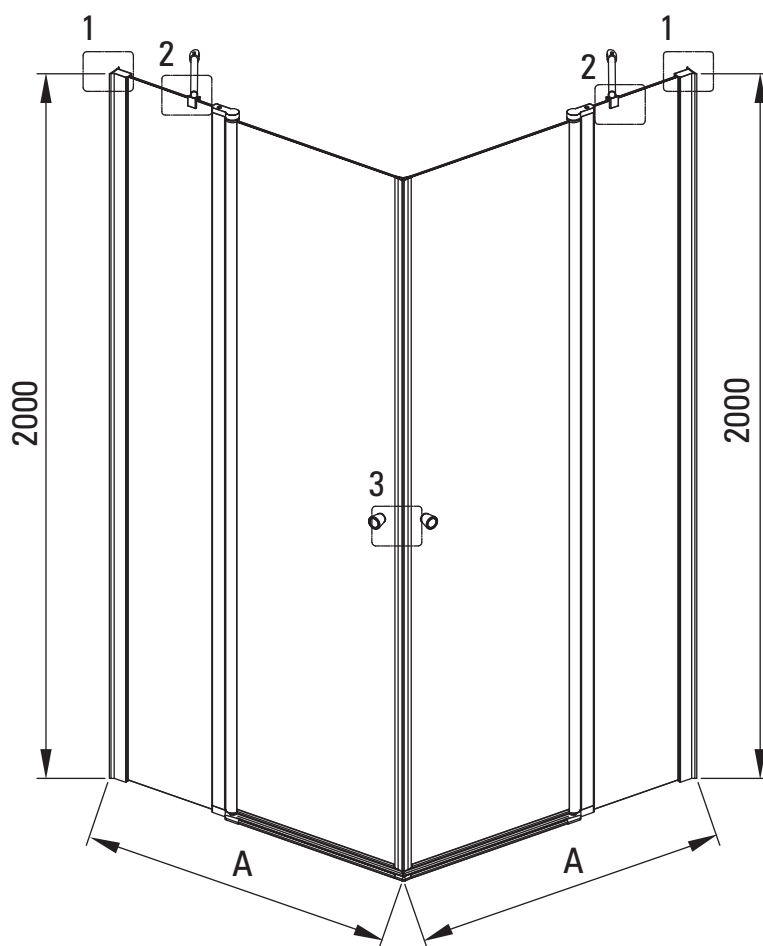
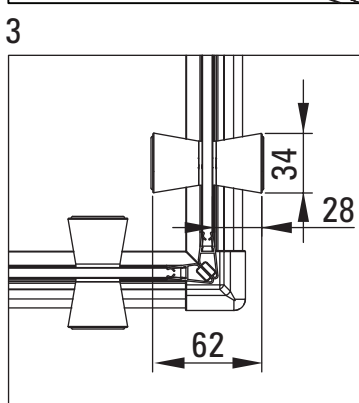
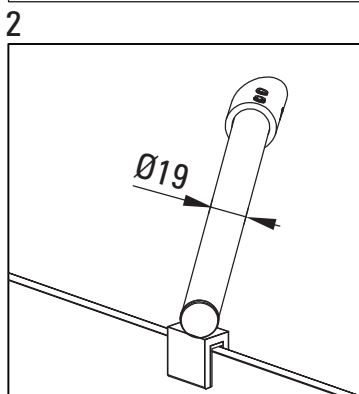
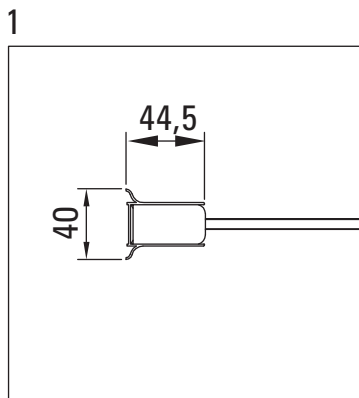
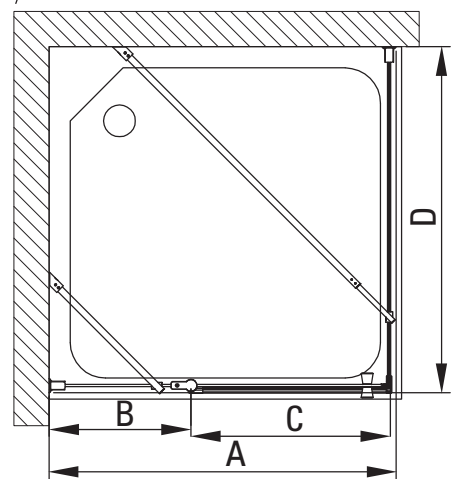
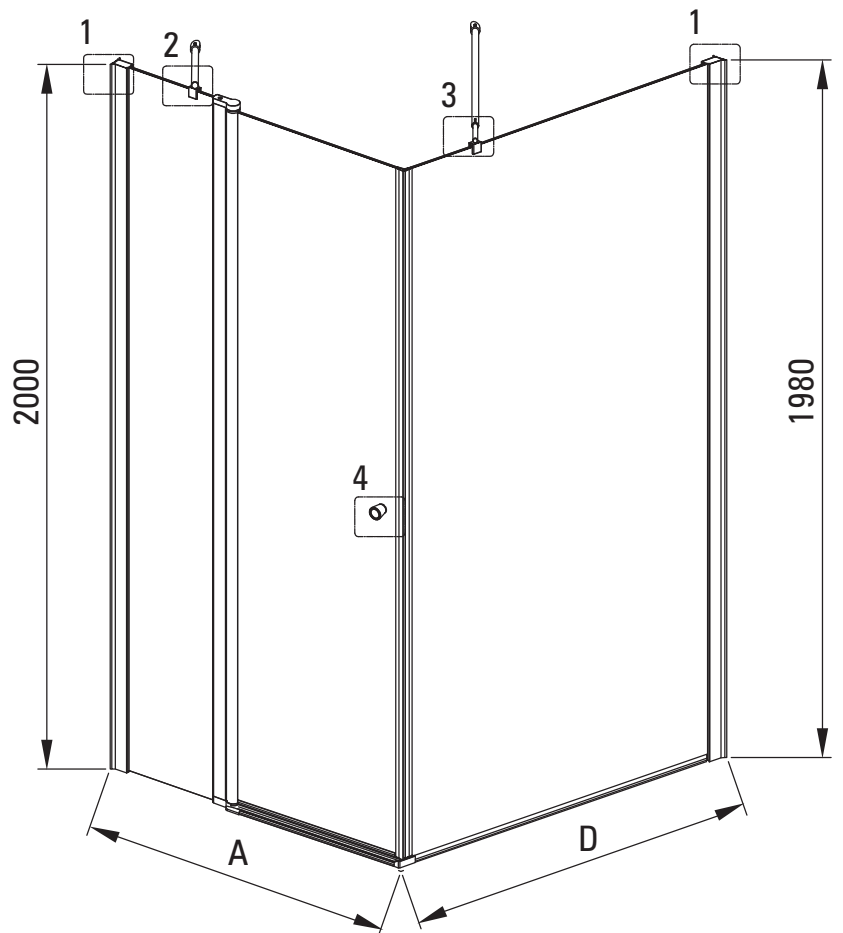
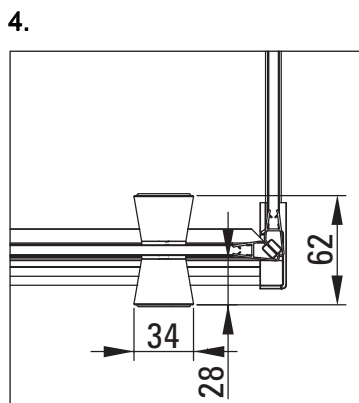
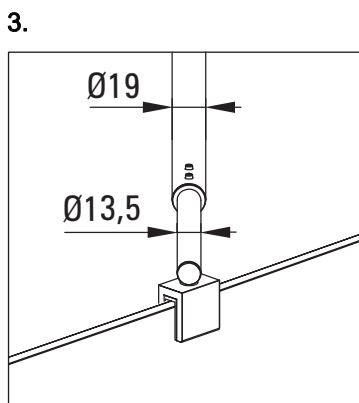
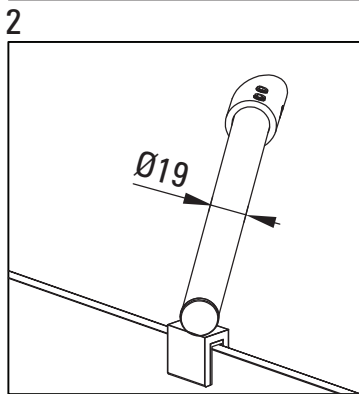
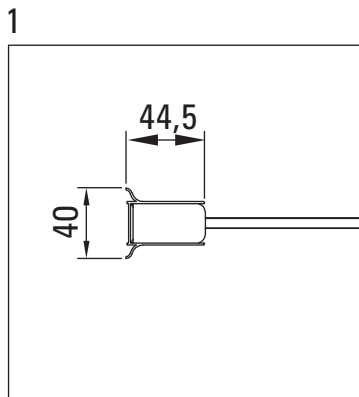


Model	Size [mm]	A [mm]	B [mm]	C [mm]	A+XKC00PX02	A+KTS_X22X
KTSUX42P + KTS_X00X	800x2000	775-800	255-280	520	820-860	800-830
KTSUX41P + KTS_X00X	900x2000	875-900	355-380	520	920-960	900-930
KTSUX43P + KTS_X00X	1000x2000	975-1000	405-480	570	1020-1060	1000-1030

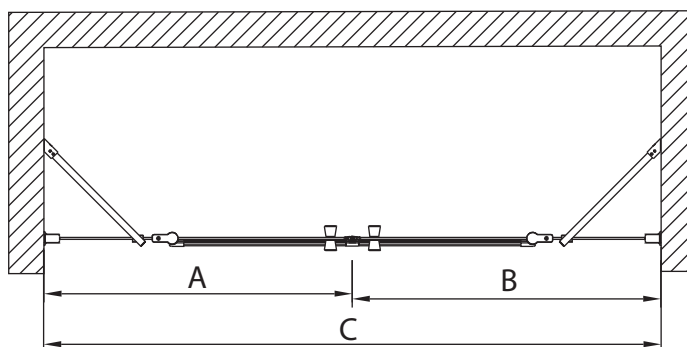
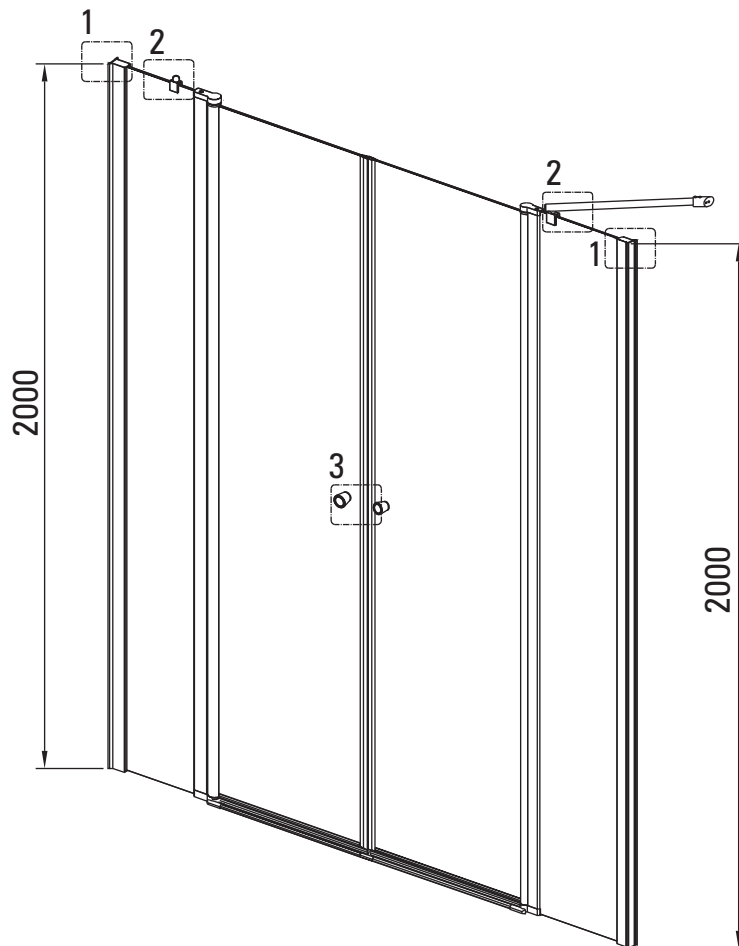
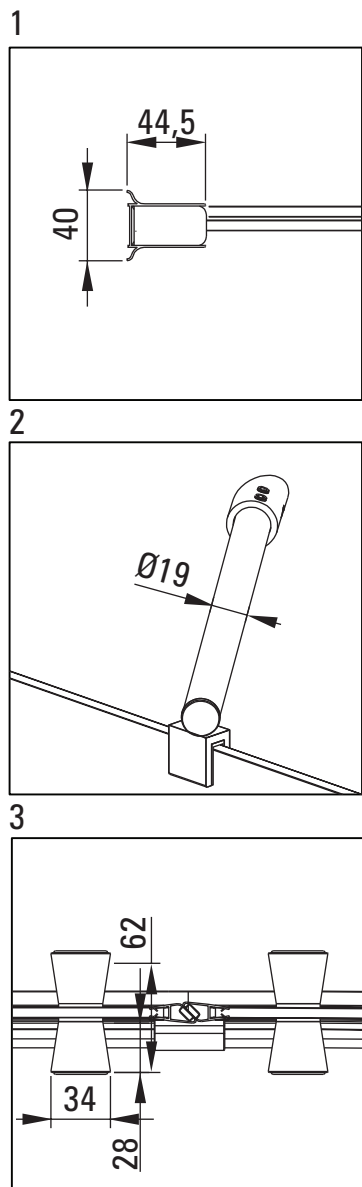


Model	Size [mm]	A [mm]	B [mm]	C [mm]
KTSUX42P	800x2000	787-800	255-268	515
KTSUX41P	900x2000	887-900	355-368	515
KTSUX43P	1000x2000	987-1000	405-418	565

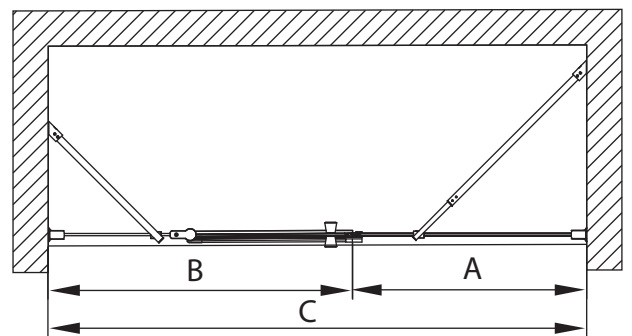
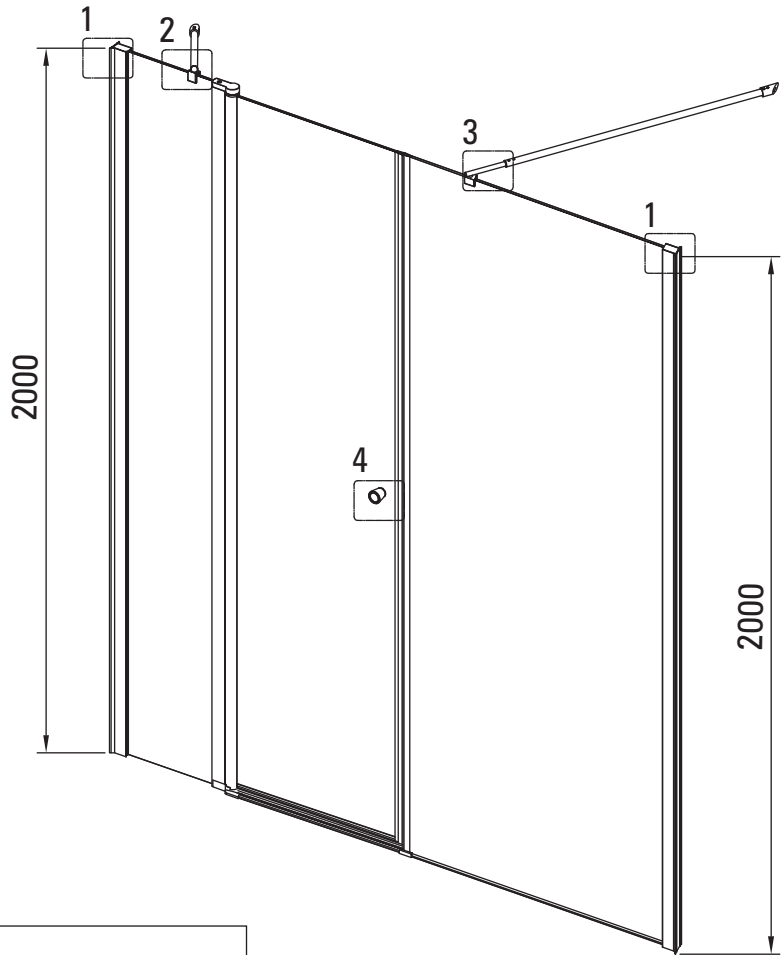
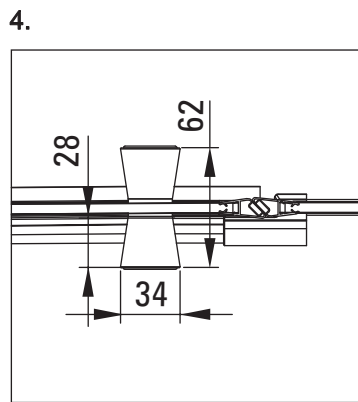
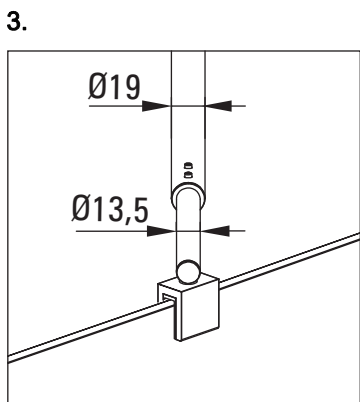
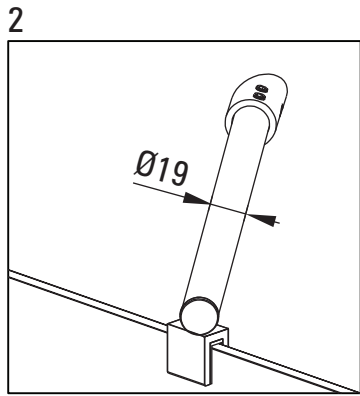
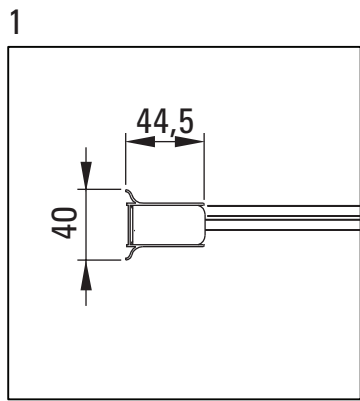


Model	Size [mm]	A [mm]	B [mm]	C [mm]
KTSUX42P	800x2000	787-800	255-268	515
KTSUX41P	900x2000	887-900	355-368	515
KTSUX43P	1000x2000	987-1000	405-418	565

Model	D [mm]
KTS_X83P	280-300
KTS_X84P	380-400
KTS_X37P	680-700
KTS_X38P	780-800
KTS_X39P	880-900
KTS_X30P	980-1000
KTS_X31P	1080-1100
KTS_X32P	1180-1200
KTS_X34P	1380-1400



Model	Size [mm]	A [mm]	B [mm]	C [mm]
KTSUX41P + KTSUX41P	(900+900)x2000	865-885	865-885	1730-1770
KTSUX41P + KTSUX42P	(900+800)x2000	865-885	765-785	1630-1670
KTSUX41P + KTSUX43P	(900+1000)x2000	865-885	965-985	1830-1870
KTSUX42P + KTSUX41P	(800+900)x2000	765-785	865-885	1630-1670
KTSUX42P + KTSUX42P	(800+800)x2000	765-785	765-785	1530-1570
KTSUX42P + KTSUX43P	(800+1000)x2000	765-785	965-985	1730-1770
KTSUX43P + KTSUX41P	(1000+900)x2000	965-985	865-885	1830-1870
KTSUX43P + KTSUX42P	(1000+800)x2000	965-985	765-785	1730-1770
KTSUX43P + KTSUX43P	(1000+1000)x2000	965-985	965-985	1930-1970



A [mm] + B [mm] = C [mm]		Model Size		
Model	Size	KTSUX42P B = 765-785	KTSUX41P B = 865-885	KTSUX43P B = 965-985
KTS_X83P	A = 265-285	C = 1030-1070	C = 1130-1170	C = 1230-1270
KTS_X84P	A = 365-385	C = 1130-1170	C = 1230-1270	C = 1330-1370
KTS_X37P	A = 665-685	C = 1430-1470	C = 1530-1570	C = 1630-1670
KTS_X38P	A = 765-785	C = 1530-1570	C = 1630-1670	C = 1730-1770
KTS_X39P	A = 865-885	C = 1630-1670	C = 1730-1770	C = 1830-1870
KTS_X30P	A = 965-985	C = 1730-1770	C = 1830-1870	C = 1930-1970
KTS_X31P	A = 1065-1085	C = 1830-1870	C = 1930-1970	C = 2030-2070
KTS_X32P	A = 1165-1185	C = 1930-1970	C = 2030-2070	C = 2130-2170
KTS_X34P	A = 1365-1365	C = 2130-2170	C = 2230-2270	C = 2330-2370